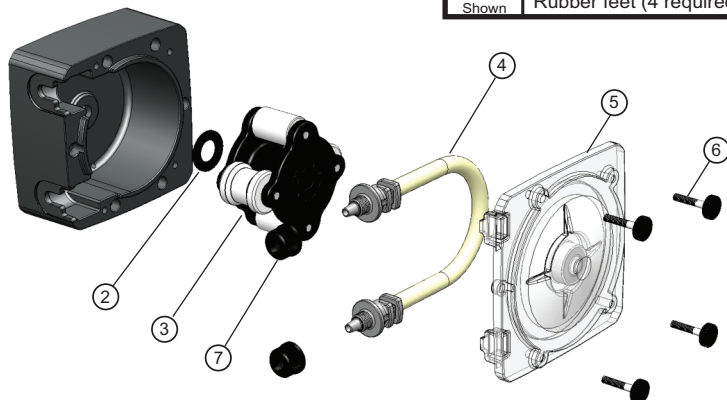


### 15.0 Pump Head Replacement Parts List

	Item	Description	Part Number	QTY
	2	Spacer, Back	90011-217	1
Flex-A-prene®	3	Roller Assembly Complete (Rotor), For ND Tubes	A2-SND-R	1
	4	Tube Assembly, 3/8" tube connect, Flex-A-Prene® ND (.075 ID)	A2-SND-T	1
	4	Tube Assembly, 1/2" Male NPT connect, Flex-A-Prene® ND (.075 ID)	A2-MND-T	1
	4	Tube Assembly, 3/4" tri-clamp (Sanitary Fitting), Flex-A-Prene® ND (.075 ID)	A2-CND-T	1
Flex-A-prene®	3	Roller Assembly Complete (Rotor), For NEE and NGG Tubes	A2-SNGG-R	1
	4	Tube Assembly, Quick Disconnect, Flex-A-Prene® NEE (0.093 ID)*	A2-QNEE-T	1
	4	Tube Assembly, 1/4" Tube Compression, Flex-A-Prene® NEE (0.093 ID)	A2-SNEE-T	1
	4	Tube Assembly, 1/2" Male NPT, Flex-A-Prene® NEE (0.093 ID)	A2-MNEE-T	1
	4	Tube Assembly, 1/2" Hose Barb, Flex-A-Prene® NEE (0.093 ID)	A2-BNEE-T	1
	4	Tube Assembly, 1/2" - 3/4" tri-clamp (Sanitary Fitting), Flex-A-Prene® NEE (0.093 ID)	A2-CNEE-T	1
	4	Tube Assembly, Quick Disconnect, Flex-A-Prene® NGG (0.187 ID)*	A2-QNGG-T	1
	4	Tube Assembly, 1/4" Tube Compression, Flex-A-Prene® NGG (0.187 ID)	A2-SNGG-T	1
	4	Tube Assembly, 1/2" Male NPT, Flex-A-Prene® NGG (0.187 ID)	A2-MNGG-T	1
	4	Tube Assembly, 1/2" Hose Barb, Flex-A-Prene® NGG (0.187 ID)	A2-BNGG-T	1
	4	Tube Assembly, 1/2" - 3/4" tri-clamp (Sanitary Fitting), Flex-A-Prene® NGG (0.187 ID)	A2-CNGG-T	1
Flex-A-Chem®	3	Roller Assembly Complete (Rotor), For TH Tubes	A2-STH-R	1
	4	Tube Assembly, 3/8" tube connect, Flex-A-Chem® TH (.250 ID)	A2-STH-T	1
	4	Tube Assembly, 1/2" Male NPT, Flex-A-Chem® TH (.250 ID)	A2-MTH-T	1
	4	Tube Assembly, 3/4" tri-clamp (Sanitary Fitting), Flex-A-Chem® TH (.250 ID)	A2-CTH-T	1
Flex-A-Thane®	3	Roller Assembly Complete (Rotor), For G2G, GE and GG Tubes	A2-SGE-R	1
	4	Tube Assembly, 3/8" OD tube compression fitting, Flex-A-Thane® GE (.125 ID)	A2-SGE-T	1
	4	Tube Assembly, 1/2" Male NPT connect, Flex-A-Thane® GE (.125 ID)	A2-MGE-T	1
	4	Tube Assembly, 3/4" tri-clamp (Sanitary Fitting), Flex-A-Thane® GE (.125 ID)	A2-CGE-T	1
	4	Tube Assembly, 3/8" OD tube compression fitting, Flex-A-Thane® GG (.187 ID)	A2-SGG-T	1
	4	Tube Assembly, 1/2" Male NPT connect, Flex-A-Thane® GG (.187 ID)	A2-MGG-T	1
	4	Tube Assembly, 3/4" tri-clamp (Sanitary Fitting), Flex-A-Thane® GG (.187 ID)	A2-CGG-T	1
	4	Tube Assembly, 3/8" OD tube compression fitting, Flex-A-Thane® G2G (.187 ID)	A2-SG2G-T	1
4	Tube Assembly, 1/2" Male NPT connect, Flex-A-Thane® G2G (.187 ID)	A2-MG2G-T	1	
	5	Pump Head Cover, Polycarbonate - New design, backwards compatible	A2-SXX-C	1
	6	Thumb Screw (4 required per pump, sold individually)	90011-183	1
	7	Tube Nut, Compression, For 3/8" Tubing (2 required per pump, sold individually)	C-330-6	1
Not Shown		Stainless Steel mounting bracket kit (pair)	72000-379	1
Not Shown		Stainless Steel extended mounting bracket kit (pair)	72000-380	1
Not Shown		Rubber feet (4 required per pump, sold individually)	90003-561	1



#### Quick Disconnect Valve Kits

Model #	Description
KIT-QBV	1/2" Barb, FKM O-rings
KIT-QBE	1/2" Barb, EP O-rings
KIT-QMV	1/2" M/MPT, FKM O-rings
KIT-QME	1/2" M/MPT, EP O-rings
KIT-QSV	3/8" OD, 1/4" ID Tube Compression, FKM O-rings
KIT-QSE	3/8" OD, 1/4" ID Tube Compression, EP O-rings

\*Quick Disconnect valves sold separately

**Note:** ND and G2G tube assemblies are also available in "B", "C" and "Q" connection types.